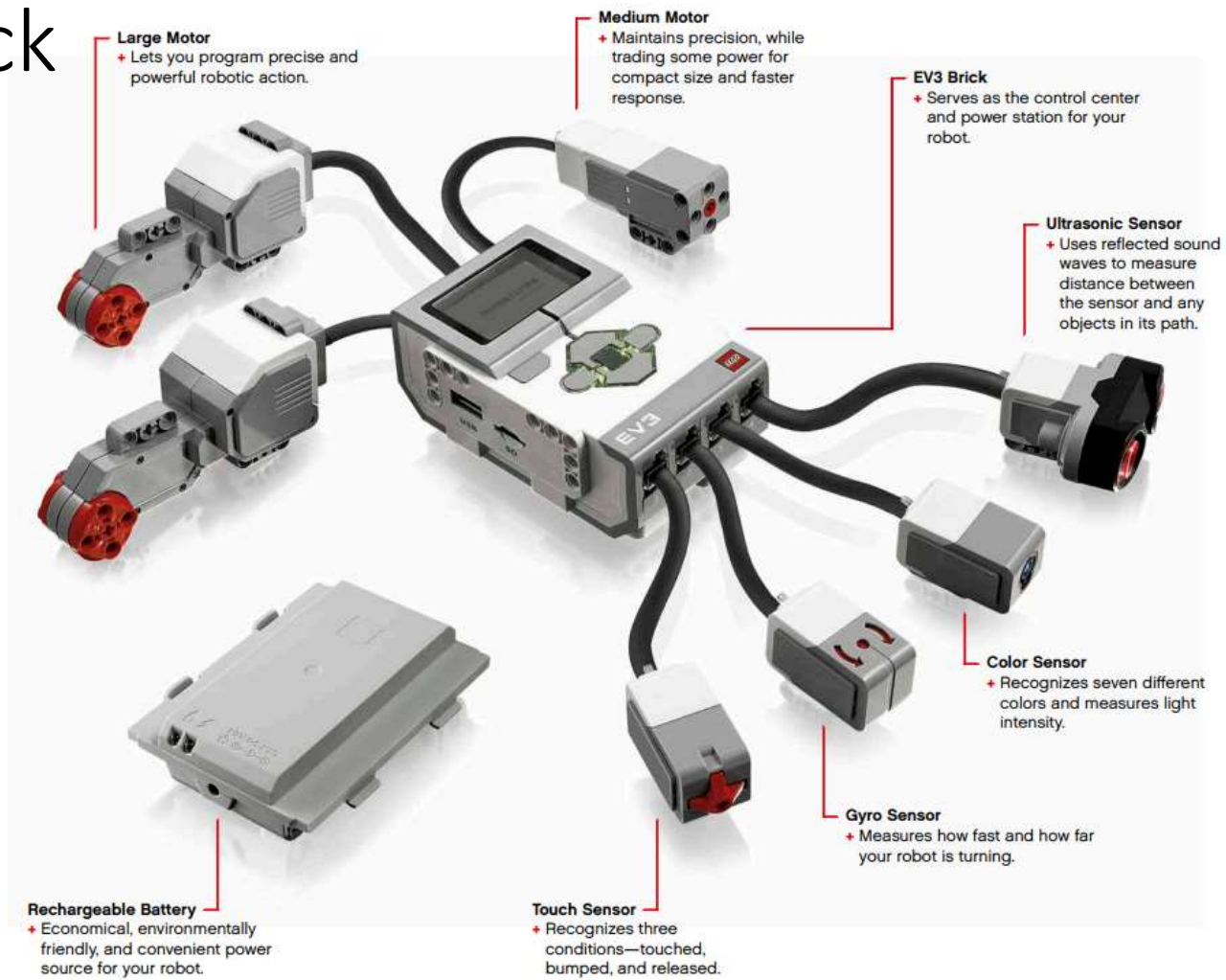


EV3 Brick Overview

Thomas Newton

Overview

EV3 Brick



EV3 Brick

Wireless Connection Status icons (from the left)



Bluetooth enabled but not connected or visible to other Bluetooth devices



Bluetooth enabled and visible to other Bluetooth devices



Bluetooth enabled and your EV3 Brick is connected to another Bluetooth device



Bluetooth enabled and visible and your EV3 Brick is connected to another Bluetooth device



Wi-Fi enabled but not connected to a network



Wi-Fi enabled and connected to a network

Brick Name

USB

USB connection established to another device



Battery level

Brick Buttons

1. Back

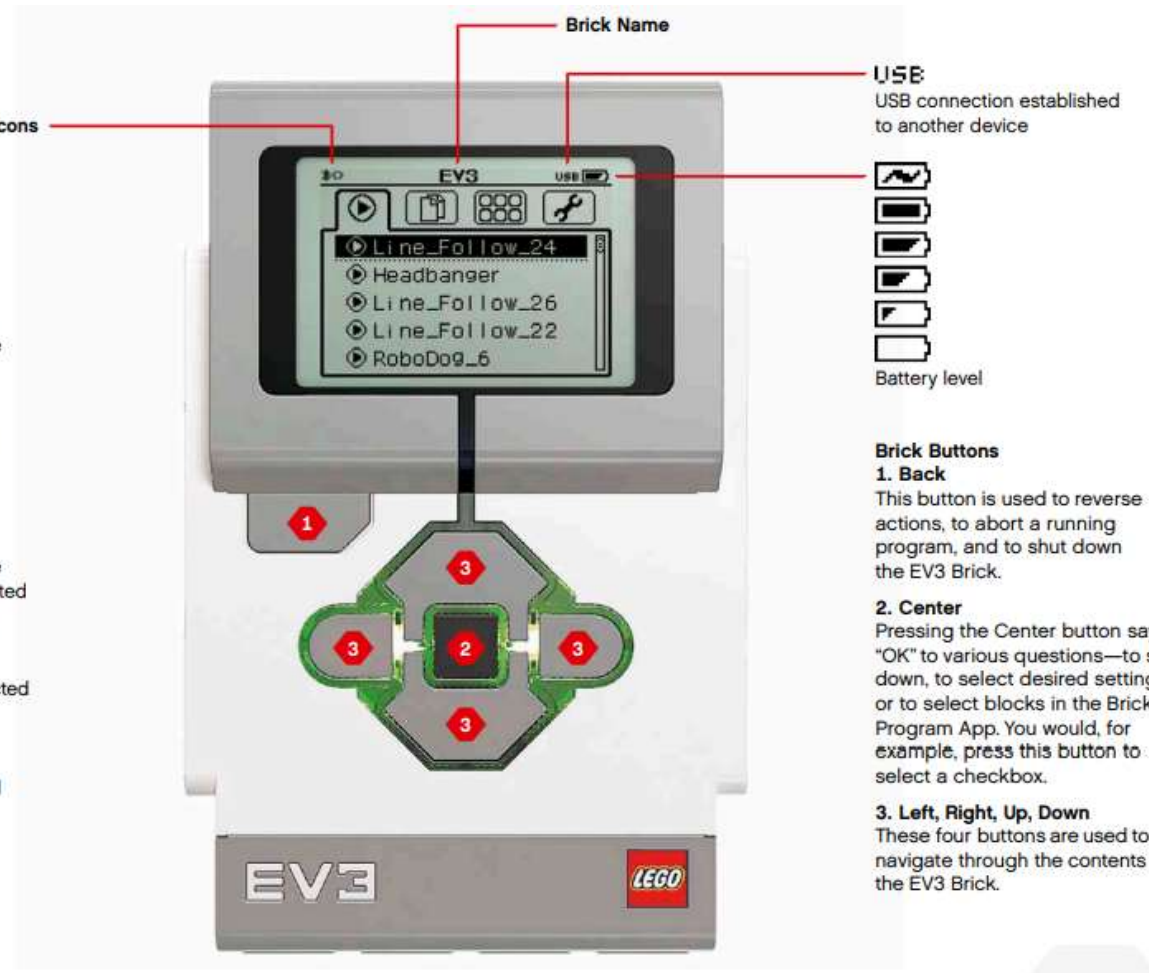
This button is used to reverse actions, to abort a running program, and to shut down the EV3 Brick.

2. Center

Pressing the Center button says "OK" to various questions—to shut down, to select desired settings, or to select blocks in the Brick Program App. You would, for example, press this button to select a checkbox.

3. Left, Right, Up, Down

These four buttons are used to navigate through the contents of the EV3 Brick.



EV3 Brick

EV3 Brick

The **Brick Status Light** that surrounds the Brick Buttons tells you the current status of the EV3 Brick. It can be green, orange, or red and can pulse. Brick Status Light codes are the following:

- + Red = Startup, Updating, Shutdown
- + Red pulsing = Busy
- + Orange = Alert, Ready
- + Orange pulsing = Alert, Running
- + Green = Ready
- + Green pulsing = Running Program

You can also program the Brick Status Light to show different colors and to pulse when different conditions are met (learn more about using the **Brick Status Light Block** in the EV3 Software Help).



Brick Status Light – Red

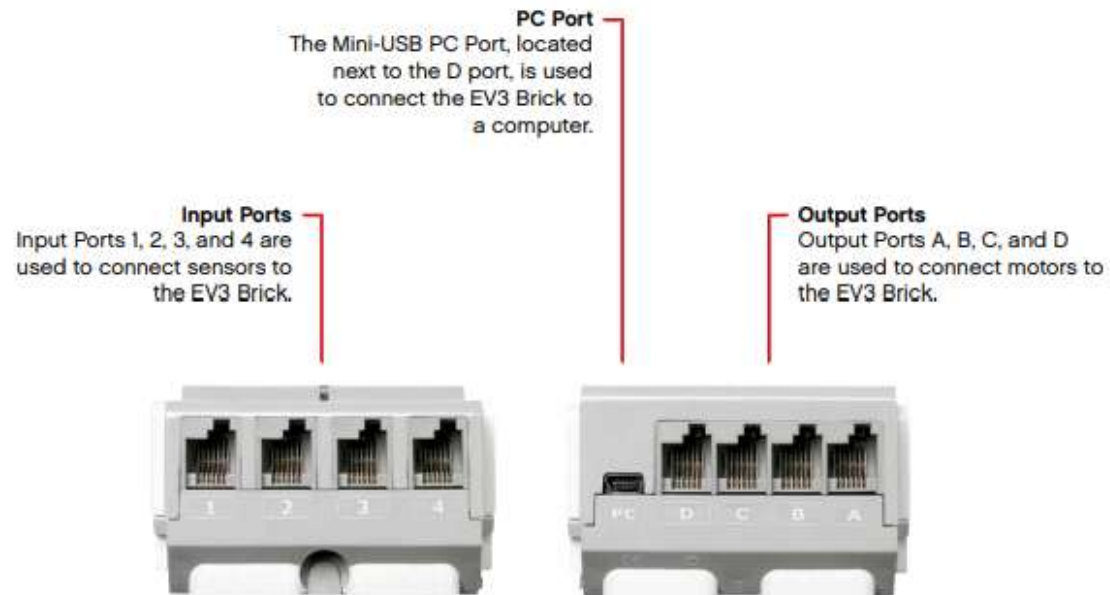


Brick Status Light – Orange



Brick Status Light – Green

EV3 Brick



EV3 Brick



Speaker

All sounds from the EV3 Brick come through this speaker—including any sound effects used in programming your robots. When the quality of the sound is important to you, try to leave the speaker uncovered while designing your robot. Check out the cool sound files that can be programmed within the EV3 Software (learn more about using the **Sound Block** in the EV3 Software Help).

USB Host Port

The USB Host Port can be used to add a USB Wi-Fi dongle for connecting to a wireless network, or to connect up to four EV3 Bricks together (daisy chain).

SD Card Port

The SD Card Port increases the available memory for your EV3 Brick with an SD card (maximum 32 GB—not included).

EV3 Brick

Turning On the EV3 Brick

To turn on the EV3 Brick, press the Center button. After you press the button, the Brick Status Light will turn red and the Starting screen will be displayed.

When the light changes to green, your EV3 Brick is ready.

To turn the EV3 Brick off, press the Back button until you see the Shut Down screen.

The Abort X will already be selected. Use the Right button to select the Accept check mark, then press the Center button for OK. Your EV3 Brick is now turned off. If you press OK while the X is selected, you will return to the Run Recent screen.



Starting screen



Shut Down screen

EV3 Brick

EV3 Brick Interface

The EV3 Brick is the control center for bringing your robots to life. Using the Display and the Brick Buttons, the EV3 Brick Interface contains four basic screens that give you access to an amazing array of functions unique to the EV3 Brick. It can be something as simple as starting and stopping a program, or something as complicated as writing the program itself.



Settings screen



Run Recent screen



File Navigation screen



Open folder in File Navigation

EV3 Brick

Run Recent

This screen will be blank until you begin to download and run programs. It is the most recently run programs that will be displayed on this screen. The program at the top of the list which is selected by default is the latest program run.



Run Recent screen

EV3 Brick

File Navigation

This screen is where you will access and manage all the files on your EV3 Brick, including files stored on a SD Card.

Files are organized in project folders, which in addition to the actual program files also contain sounds and images used in each project. In the File Navigator, files can be moved or deleted. Programs created using the Brick Program and Brick Datalog apps are stored separately in the BrkProg_SAVE and BrkDL_SAVE folders.



File Navigation screen



Open folder in File Navigation

EV3 Brick

Brick Apps

The EV3 Brick comes with five brick applications preinstalled and ready to use. In addition, you can also make your own apps in the EV3 Software. Once downloaded to the EV3 Brick, the homemade apps will be displayed here.

The five preinstalled apps are the following:

PORT VIEW

On the first screen in the Port View, you will see, at a glance, which ports have sensors or motors attached. Use the EV3 Brick Buttons to navigate to one of the occupied ports and you will see the current readings returned from the sensor or motor. Attach some sensors and motors and experiment with the different settings. Press the Center button to see or change the current settings for the attached motors and sensors. Press the Back button to get back to the Brick Apps main screen.



Brick Apps screen



Port View app

EV3 Brick

Settings

This screen will enable you to see and adjust various general settings on the EV3 Brick.

VOLUME

There may be occasions when you will want to adjust the volume of the sound coming from the EV3 Brick Speaker. To change the speaker volume, go to the Settings screen. As the top menu, Volume will already be highlighted. Press the Center button.

Use the Right and Left buttons to change the volume setting, which can be intervals from 0% to 100%. Press the Center button to accept. This will return you to the Settings screen.

SLEEP

To change the amount of inactive time that passes before the EV3 Brick goes into Sleep Mode, go to the Settings screen and navigate to the Sleep menu using the Down button. Press the Center button.

Use the Right and Left buttons to select a lower or higher time period, which can be intervals from 2 minutes to never. Press the Center button to accept. This will return you to the Settings screen.



Settings screen



Adjust volume



Adjust sleep